

OPUS® Columns 45 cm internal diameter (ID)

Unpacking Instructions - Non-Wood



OPUS® Columns 45 cm Unpackaging Instructions**Customer Support USA**

customerserviceUS@repligen.com

+1-781-250-0111

Repligen Corporation

41 Seyon Street Building #1, Suite 100

Waltham, MA 02453

Customer Support Europe

customerserviceEU@repligen.com

+31 76 5719 419

Repligen Europe B.V.

Hoeksteen 13

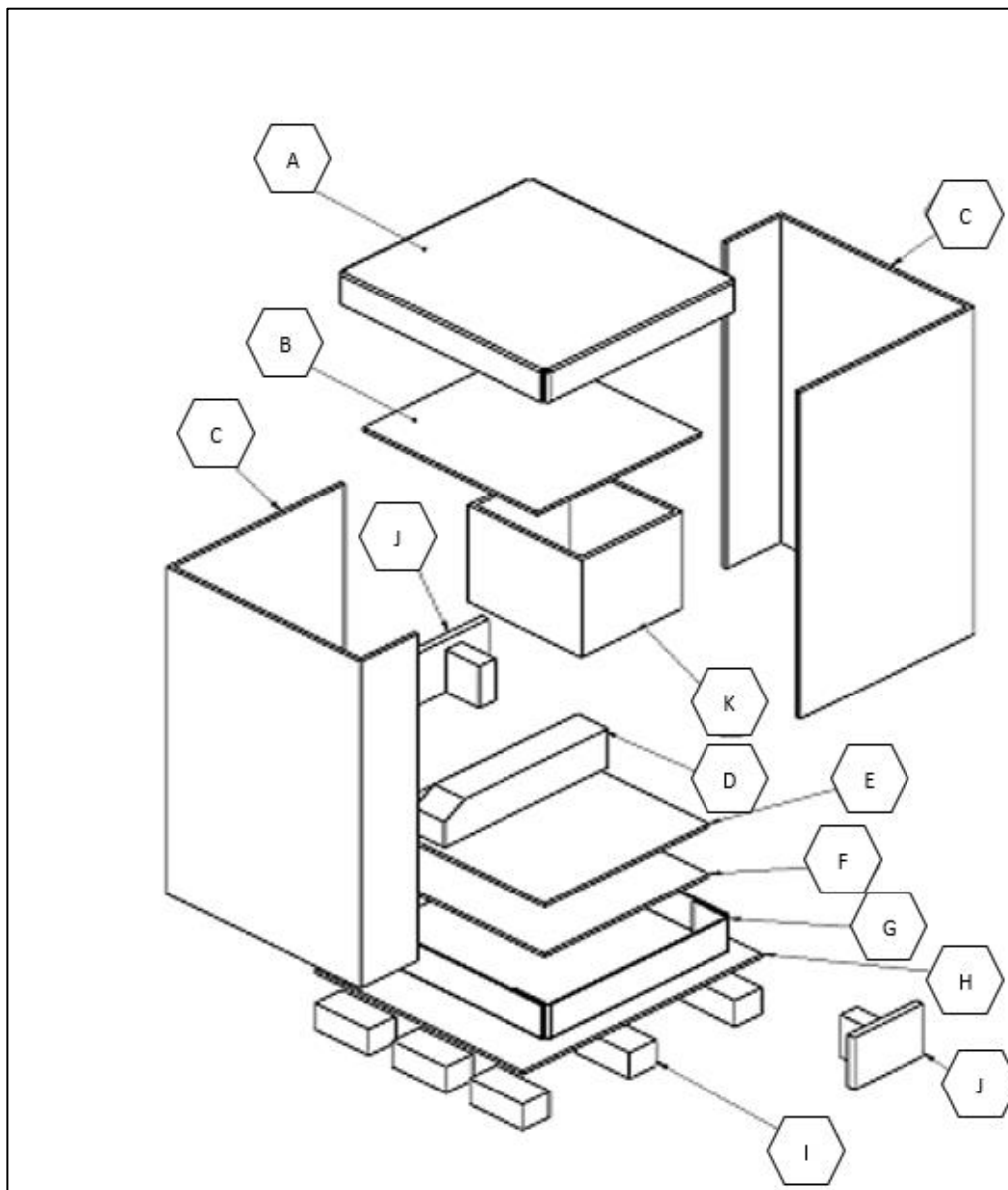
4815 PR BREDA

The Netherlands

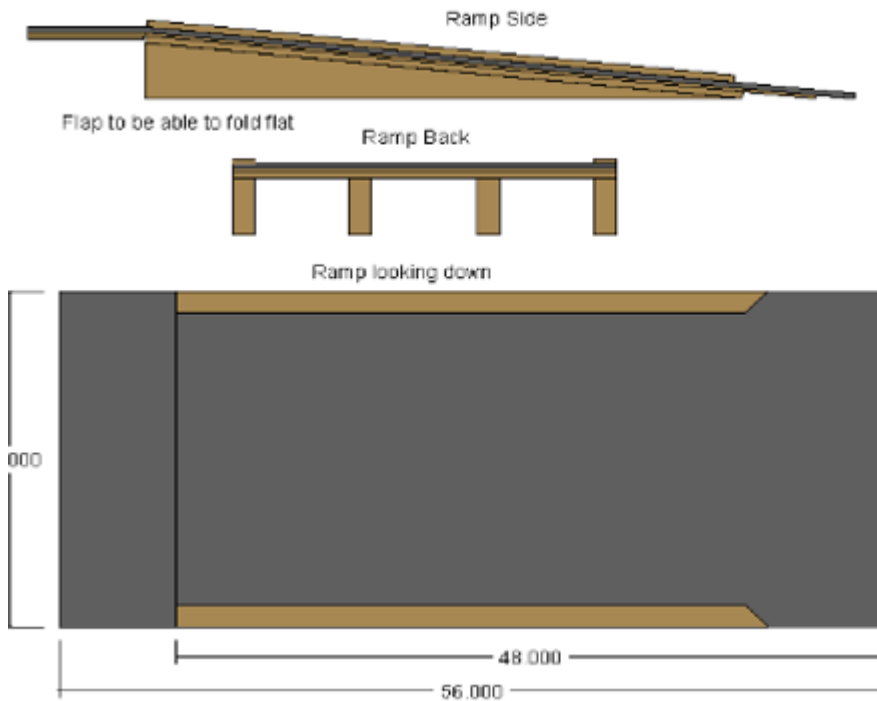
Read prior to opening crate

Note: Prior to removing the shipped OPUS 45R Column from the crate, refer to below rendering for identification of packaging components:

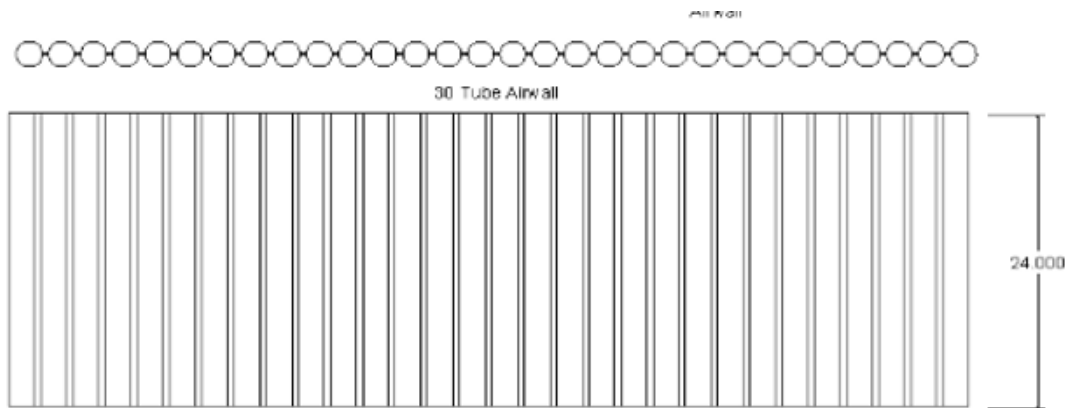
Component Label	Component Description
A	Top Cap
B	Top Plate
C	Sidewall
D	Base Support Block
E	Bottom Plate
F	Bottom Tray
G	Bottom Cap
H	Base Deck
I	Pallet Feet
J	Bottom Support Blocks
K	Connection Port Brace Collar



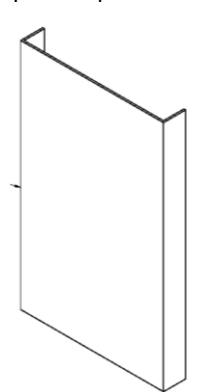
Within each crate is a detachable loading/unloading ramp for the OPUS Column.



The following removeable inflated air wrap is found on the OPUS Column body for protection while in transit.



Within each crate is the following U-pad for placement between ramp and air-wall



Step 1

Remove strapping on all sides of packaging

**Step 2**

Disengage Velcro strips from crate base
Fold down flaps on each side of packaging



Step 3

Disengage crate Top Cap clamps from top of two side walls
Remove crate Top Cap from column and set aside



Step 4

Disengage large tabs from the inside of crate and small tabs from the outside of crate.
Lift up and remove left sidewall from the crate base.

Note: Orientation based on facing the side with the attached documentation pouch

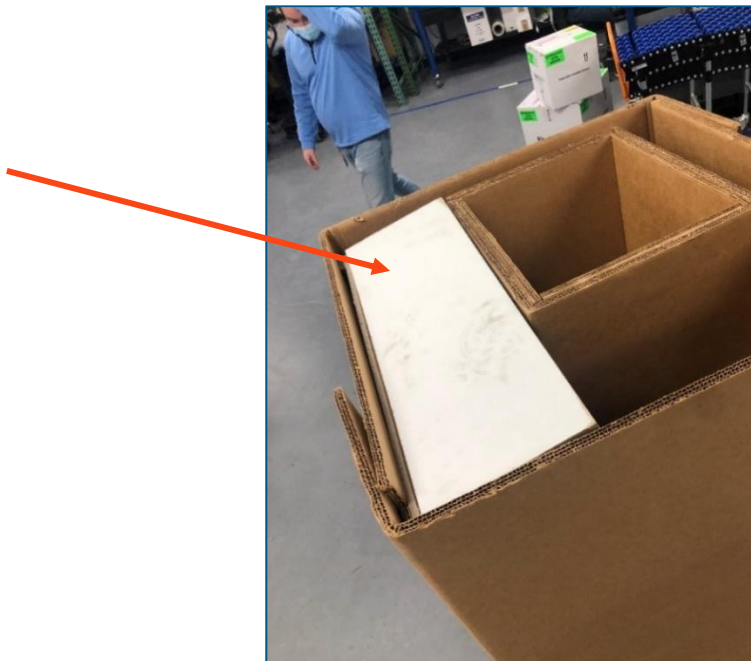


Step 5

Remove U-pad divider between ramp and inflated air-wall wrap within the internal void space of the crate

**Step 6**

Remove corrugated ramp from internal area between the inflated air-wall wrap and left side of crate.



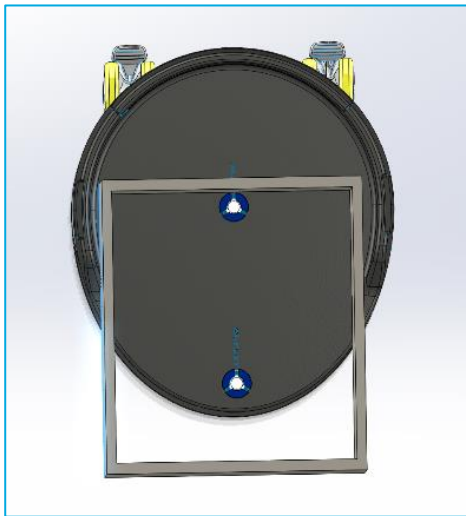
Step 7

Remove right sidewall from crate base



Step 8

Remove Connection Port Brace Collar from top of column.



Step 9

Unwrap inflated air-wall from around the main body below the column top cap.
Remove clear pressure sensitive tape from the wrap seam for ease of removal.

**Step 10**

Remove T shaped Bottom Support Blocks from between the column casters. One on each side.



Step 11

Attach reusable corrugated ramp to crate base using reinforced Velcro strips.



Roll OPUS column down ramp by grasping the black top cap, and pulling column out of crate.

Note: Two operators are advised to support the column as it transitions out of crate and onto the ramp.

One operator can push the column from the back to initiate unloading of the column.



Note: If you observe damage on the packaging or the column, contact mail to:
Complaints@repligen.com for support.

