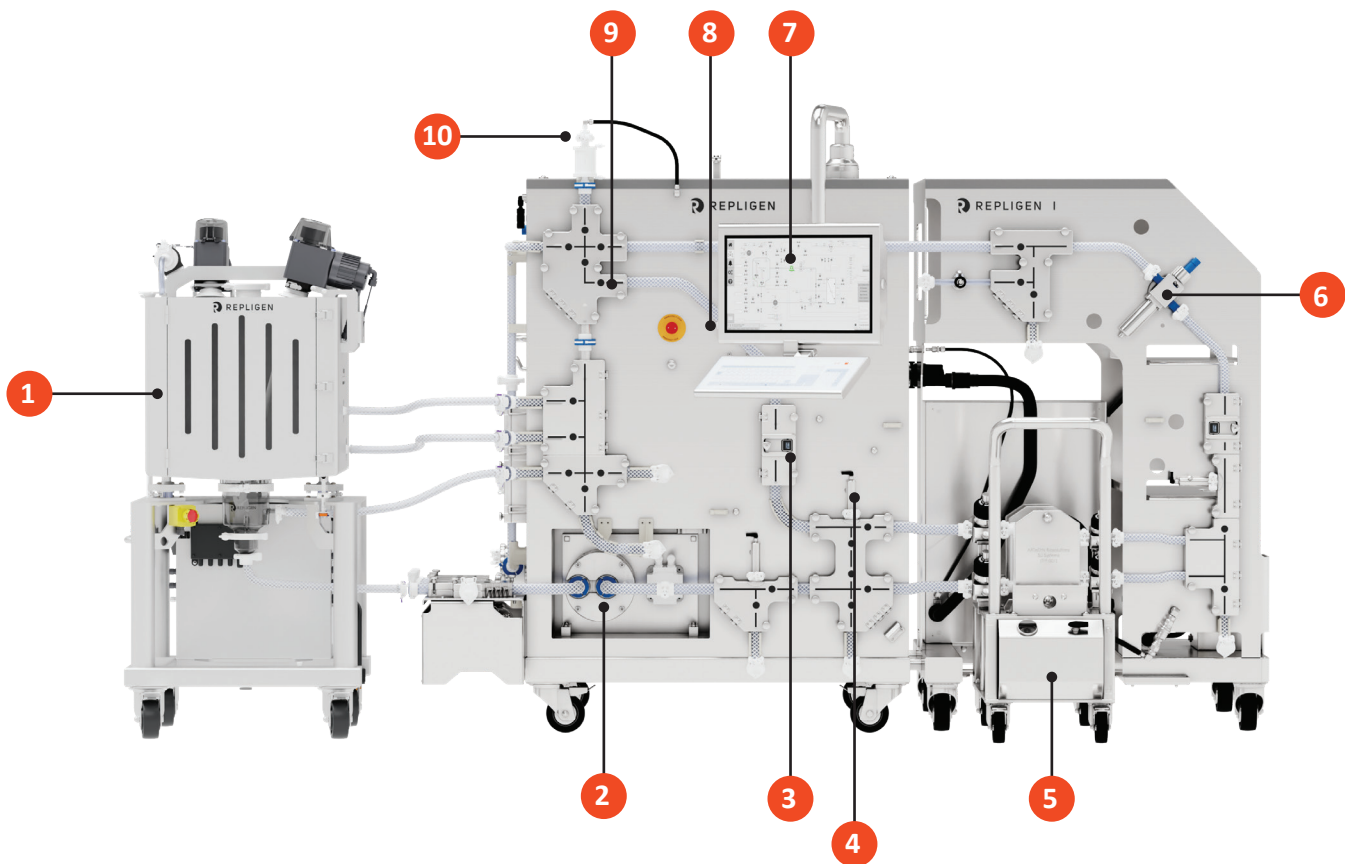


Fully automate processes

with a suite of integrated hardware components

1" KrosFlo® Single-Use Tangential Flow Filtration (TFF) Systems integrate unique hardware to deliver significantly higher product yields and operational success through increased automation capabilities.



Components

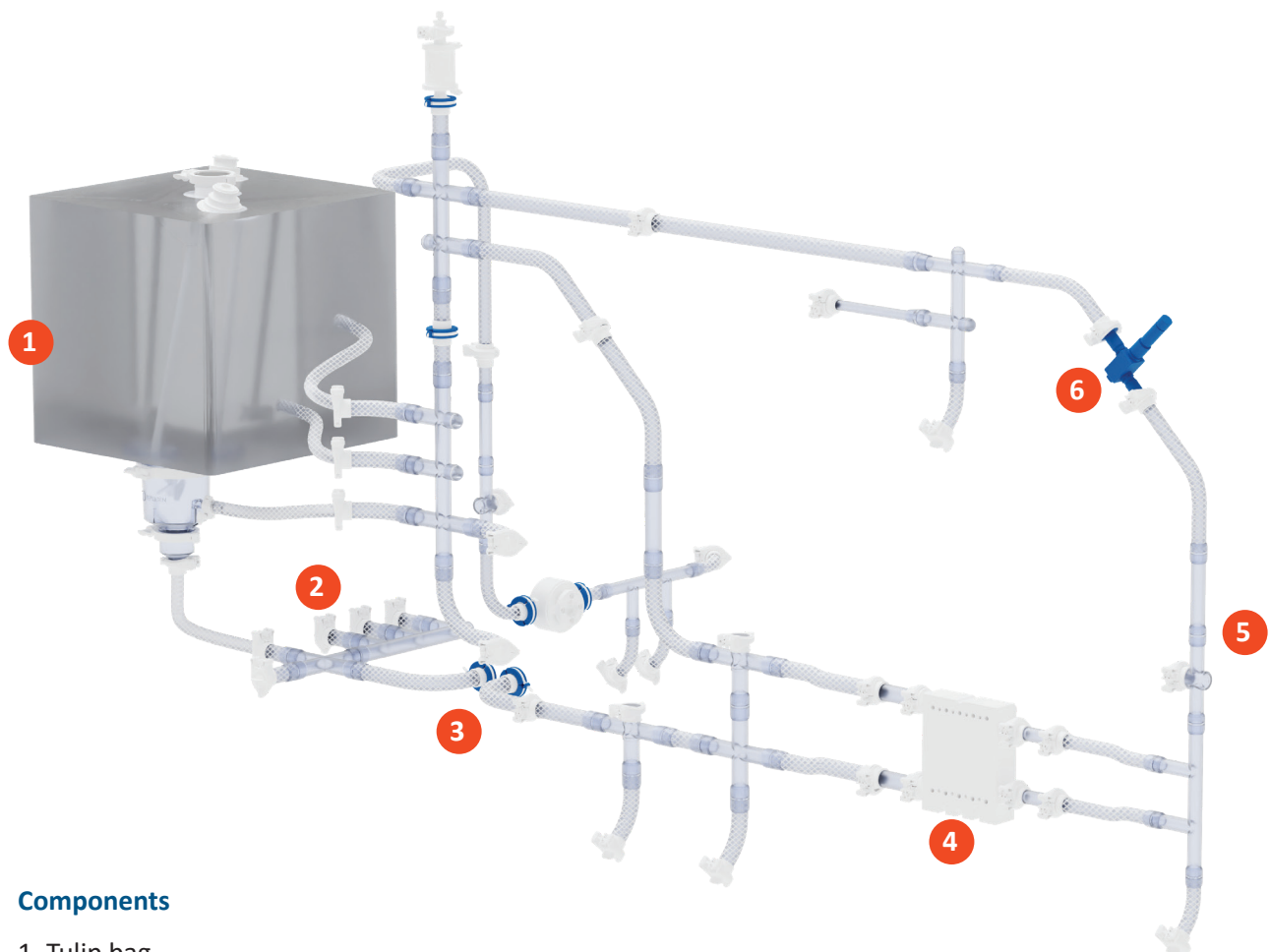
1. 150 L Tulip recirculation vessel
2. Two diaphragm pumps (Addition and recirculation)
3. Flow meters (Retentate and permeate)
4. Pressure sensors (Addition, recirculation, retentate and permeate)
5. Auto-torque cassette-holder cart
6. Permeate conductivity and temperature sensor
7. 21" Touch screen and keyboard
8. Retentate Conductivity and pH Sensor (Optional)
9. TMP Control Valve
10. Process air inlet (for integrity testing)



Deliver high recovery and operational simplicity

with engineered flow paths

ProConnex® Flow Paths integrate advanced fluid management technologies, including over-molded connections, pump heads, tubing, filters, and sensors in a single-use device. ProConnex® Flow Paths easily attach to the system to simplify operation and increase process efficiency. Operating temperature: 4 - 40° C.



Components

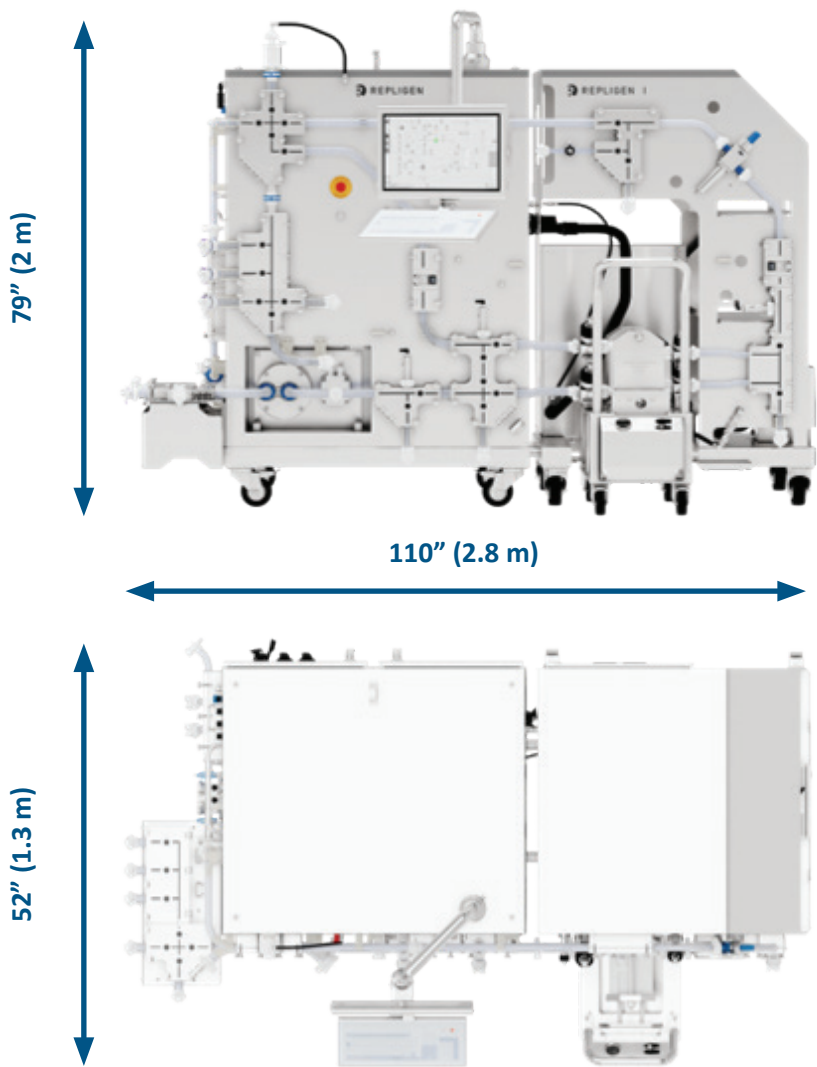
1. Tulip bag
2. Recirculation loop inlet ports
3. Diaphragm pump
4. Filter plate insert
5. Over-molded connections
6. Integrated sensors

Revised 01/11/2017

Signature features and advanced engineering

cGMP compliant, fully automated 1" KrosFlo® Single-Use Tangential Flow Filtration (TFF) System, with low hold-up volume and outstanding performance.

Dimensions



System process overview

Membrane area	5 - 10 m ²
Addition flow rate	Maximum 20 LPM
Recirculation flow rate	Maximum 60 LPM
Recirculating loop volume without filter cassettes	≤ 3200 mL
Minimum working volume	< 7.5 L with tulip tank

System mechanical overview

System size	110" W x 52" D x 79" H
Power main	380 - 480 VAC 3-ph 50/60Hz main fuse 15A
Power instruments	120 - 240 VAC, 1ph, 50/60 Hz, main fuse 15A
MoC	304 L SS #3A (System)

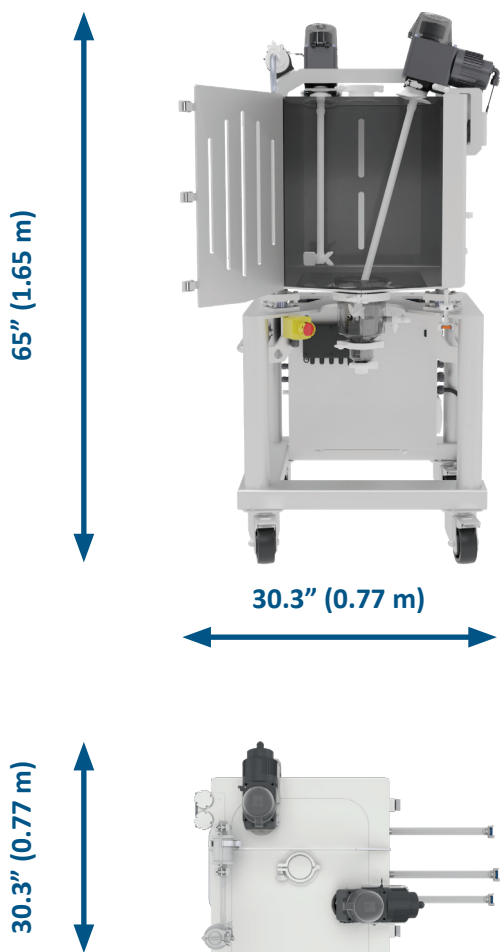
Revised 08/11/2017

Dynamic control and response to changing fluid

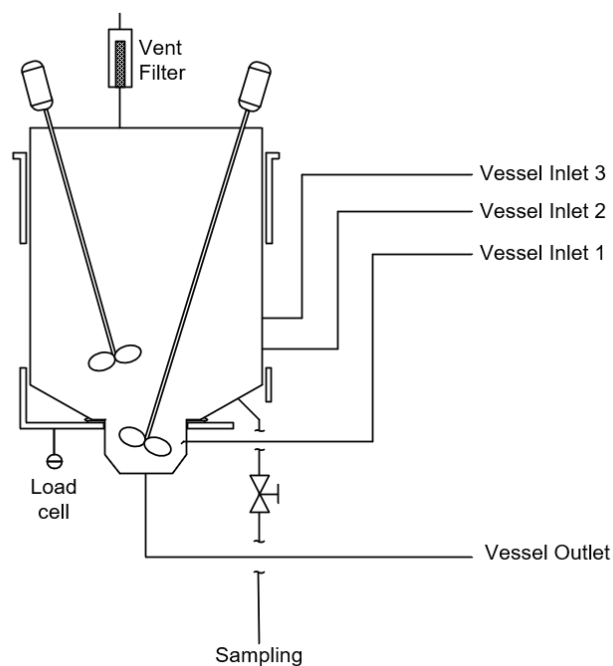
levels for maximum product recovery

The single-use tulip tank recirculation vessel is designed to be used in combination with KrosFlo® Tangential Flow Filtration (TFF) Systems to carry out fed-batch, batch concentration, and diafiltration processes using a product recirculation bag, load cell and two top-mounted mixers. Multi-level inlets ensure superior recirculation performance.

Dimensions

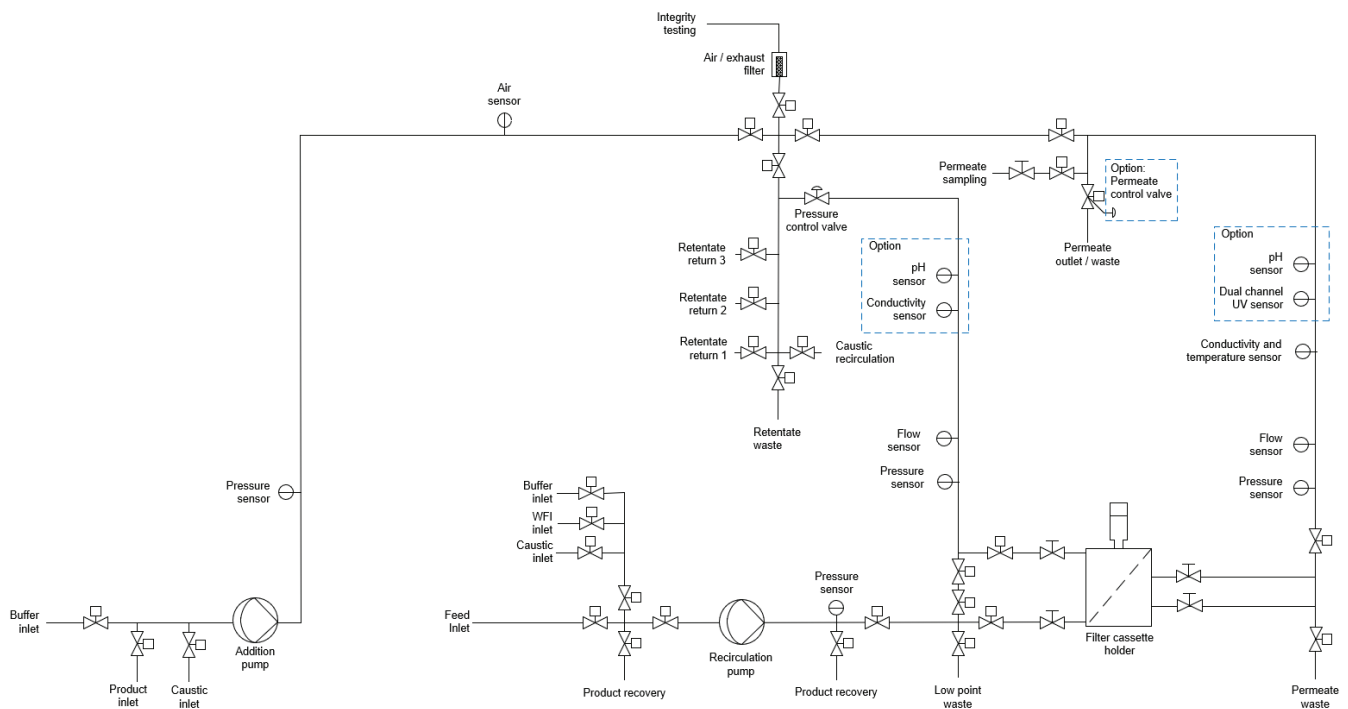


System overview	
Model	TULIP150
System size	30.3" W x 30.3" D x 65" H
Minimum and maximum working volume	1.5 L - 150 L
Sensors	
Multi-use sensors	Vessel weight (Load cell)
Agitation	
Mixing rate range	0 - 150 rpm



Expand filtration capabilities and automate more process sequences with additional valves

Single-use 1" Tangential Flow Filtration (TFF) System process flow diagram.



Revised 08/11/2017



Specifications

System specifications	
Membrane area	5 - 10 m ²
Recirculation pump	Maximum 60 LPM Diaphragm
Feed/addition pump	Maximum 20 LPM Diaphragm
Over pressure protection	Yes
Maximum flow-path pressure	4 bar
Recirculation loop volume	≤ 3200 ml without cassette
Operating temperature range	4 - 40 ° (C)
Pneumatic supply	6 - 8 barg
System dimensions	2.8 m W x 1.3 m D x 2 m H
Power requirements	Instrument power: 120 - 240 VAC, 1ph, 50/60 Hz, main fuse 15A Main power: 380 - 480VAC 3-ph 50/60Hz main fuse 15A
Flow measurement locations	Retentate, permeate
Flow measurement range (Retentate)	0 - 140 LPM
Flow measurement accuracy (Retentate)	0 - 14 LPM: ± 0.28 LPM, 14 - 140 LPM: ±2% of reading
Flow measurement range (Permeate)	0 - 70 LPM
Flow measurement accuracy (Permeate)	0 - 7 LPM: ± 0.14 LPM, 7 - 70 LPM ±2% of reading
Pressure measurement locations	Feed, retentate, permeate, addition
Pressure measurement range	0 - 4.14 barg
Pressure measurement accuracy	±0.3% of calibrated span
Air/Bubble sensor location	Addition
Conductivity measurement locations	Permeate (optional: retentate)
Conductivity measurement range	Low range: 0 µS/cm to 100 µS/cm (Permeate) High range: 0.1 mS/cm to 150 mS/cm
Conductivity measurement accuracy	Low range: ± 2% of reading + 1% of full scale High range: ± 2% of reading + 1% of full scale
Temperature measurement location	Permeate
Temperature measurement range	2 - 50° C
Temperature measurement accuracy	±1° C



Specifications

System specifications	
Integrity test mass flow meter range	0.002 - 5 slpm
Integrity test mass flow meter accuracy	±0.6% of reading or ±0.1% of full scale, whichever is greater (ml/min)
UV measurement location	Permeate (Optional)
UV measurement range	0 - 1 AU
UV measurement accuracy	±1 % of reading +1% of full scale (including loop)
UV sensor wavelength	Optional: 254/280 nm or 280/300 nm
pH measurement location	Optional: permeate, retentate
pH measurement range	3 - 10 pH
pH measurement accuracy	±0.3pH (0 - 2 bar, 4 - 50° C)
Enclosure ratings	IP54 minimum
PLC	Allen Bradley CompactLogix
HMI	21" Touch screen and glass keyboard with Industrial PC mounted in control cabinet
Software platform	Wonderware System Platform
Operating system	Windows 10
Network connection	Ethernet/IP, RJ45
Network connectivity	External monitoring and control ready. Dedicated network connections for both the PLC and the HMI. Ready for connection to Active Directory domain for consolidated logons.
Compliance and regulatory	UL508A, EU Machinery Directive, 21 CFR Part 11, CE, RoHS, REACH and ALCOA+

Vessel specifications	
Maximum volume	150 L
Minimum volume with agitation	1.5 L with impeller covered
Minimum volume with recirculation	1.15 L with lowest inlet covered
Agitator range	0 - 150 rpm
Impeller type	Pitch blade (45° pitch)
Impeller blade count	3 per impeller
Impeller diameter	20 cm
Load cell range	0 - 600 kg
Load cell accuracy	±0.5% of full scale
Power requirements	120 - 230 VAC (+/- 10%), 1PH 50/60Hz main fuse 15A
Dimensions	0.77 m W x 0.77 m D x 1.65 m H

